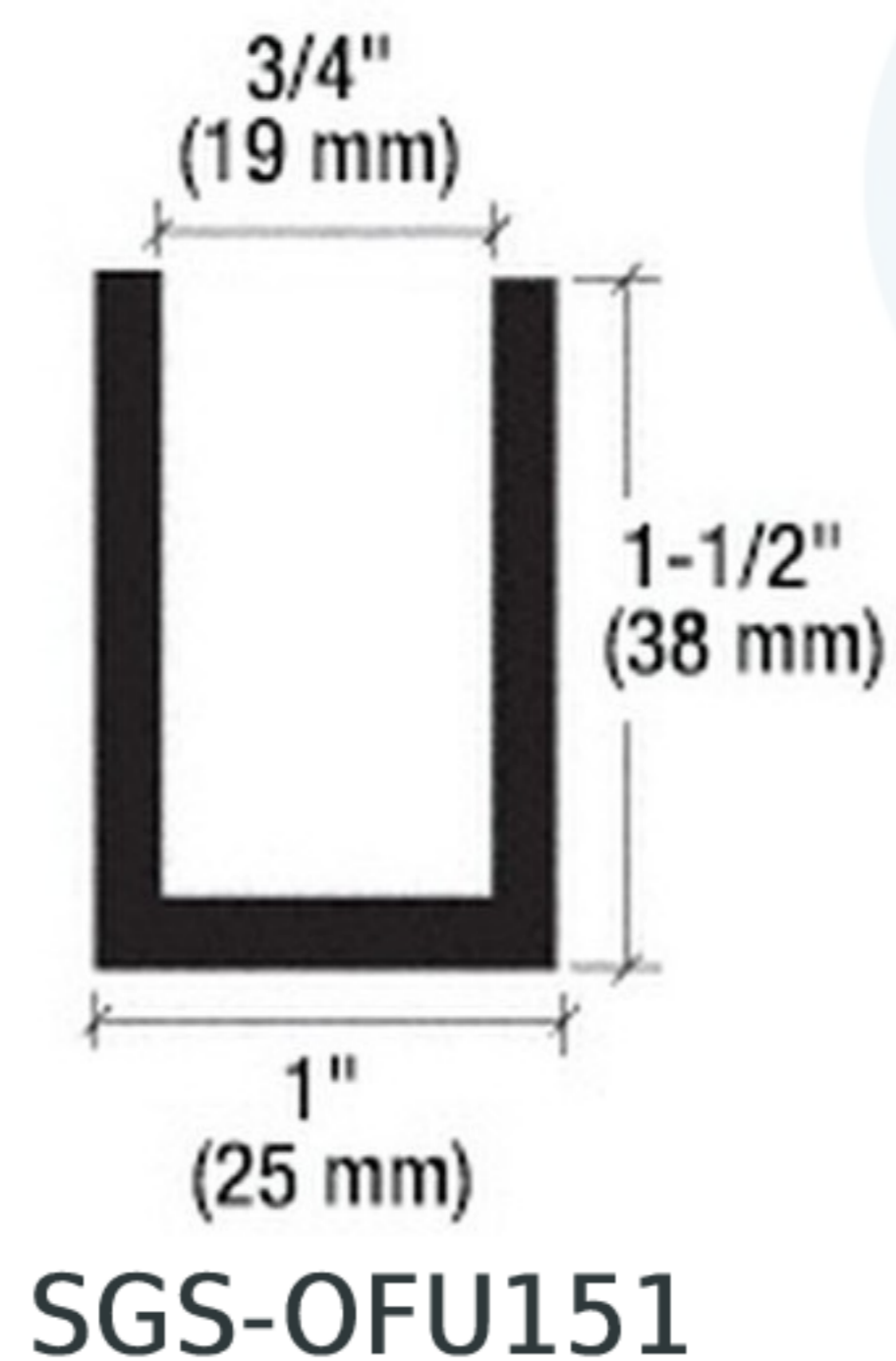
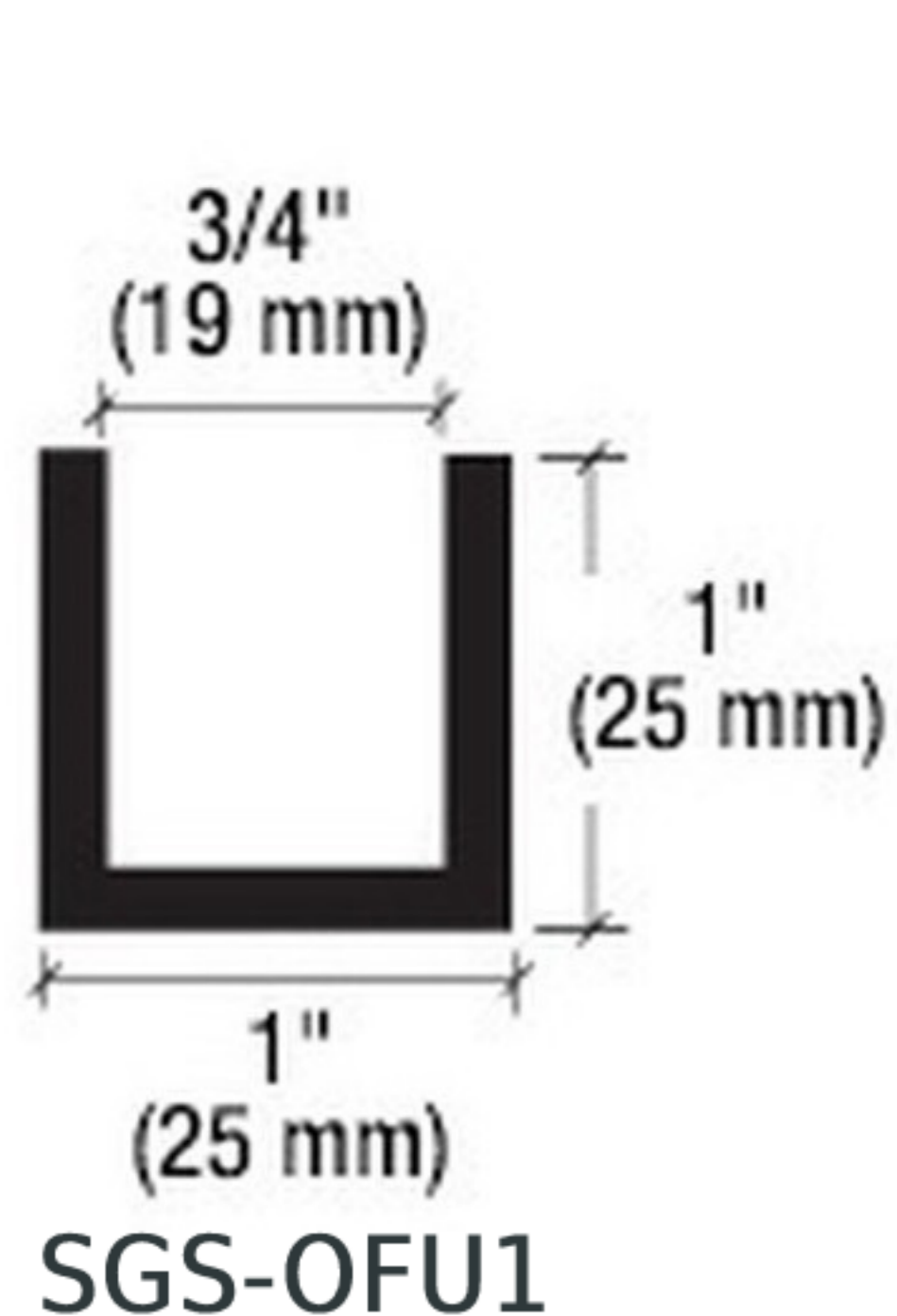


ARCHITECTURAL HARDWARE

COMMERCIAL "U" CHANNEL SGS-OFU1 & SGS-OFU151



SPECIFICATIONS

Glass Sizes: 3/8" (10mm) to 1/2" (12mm) thick tempered safety glass
Construction: Aluminum
No Cutout Required

Glass Height = Overall Height - 1 3/8" (35 mm)
Recommended use of 3/8" setting blocks in the base

Use of Gaskets:

For 3/8" (10mm) Glass: Use one roll-in gasket for 3/8" on each side
For 1/2" (12mm) Glass: Use one roll-in gasket for 1/2" each side

