

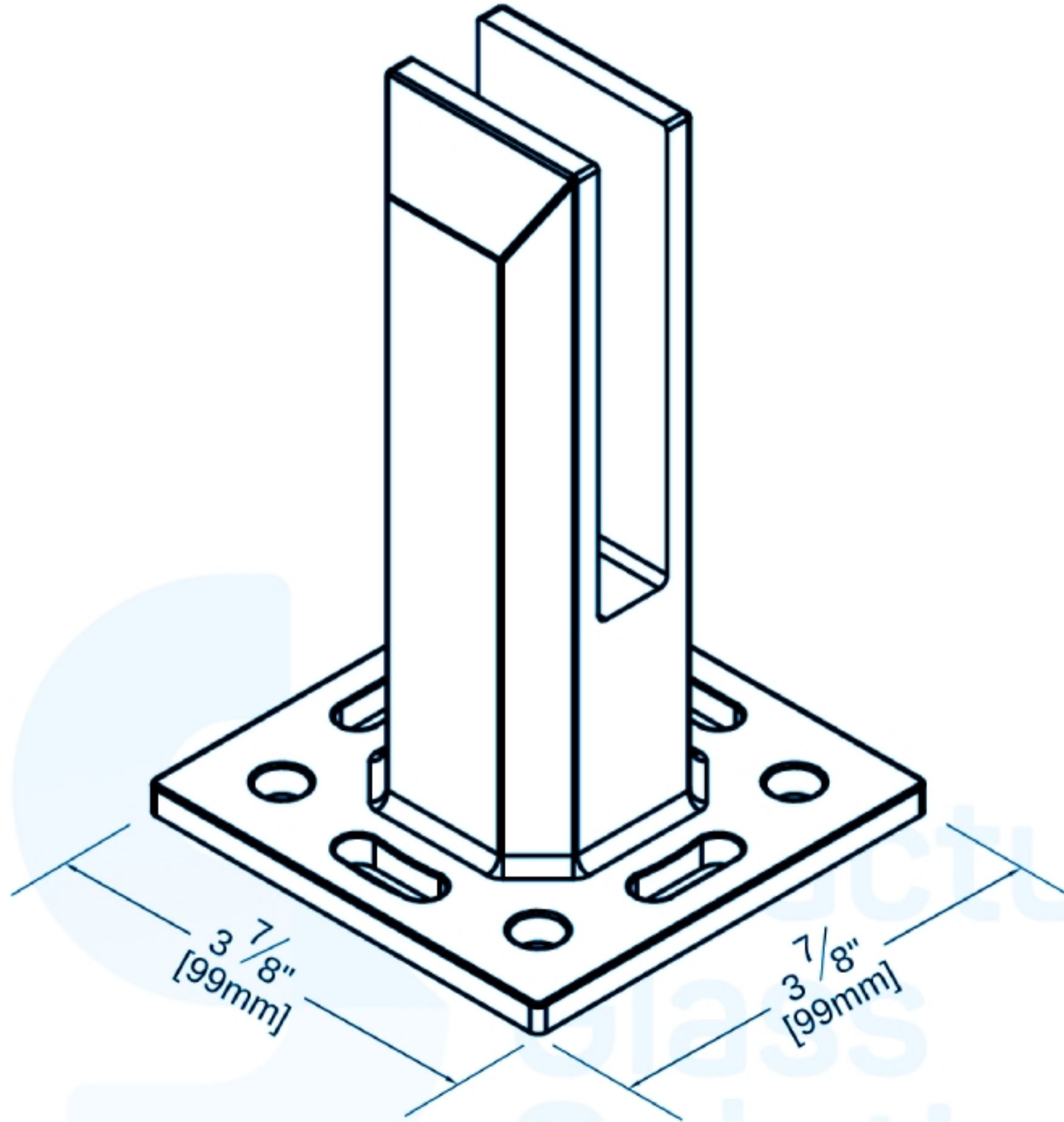
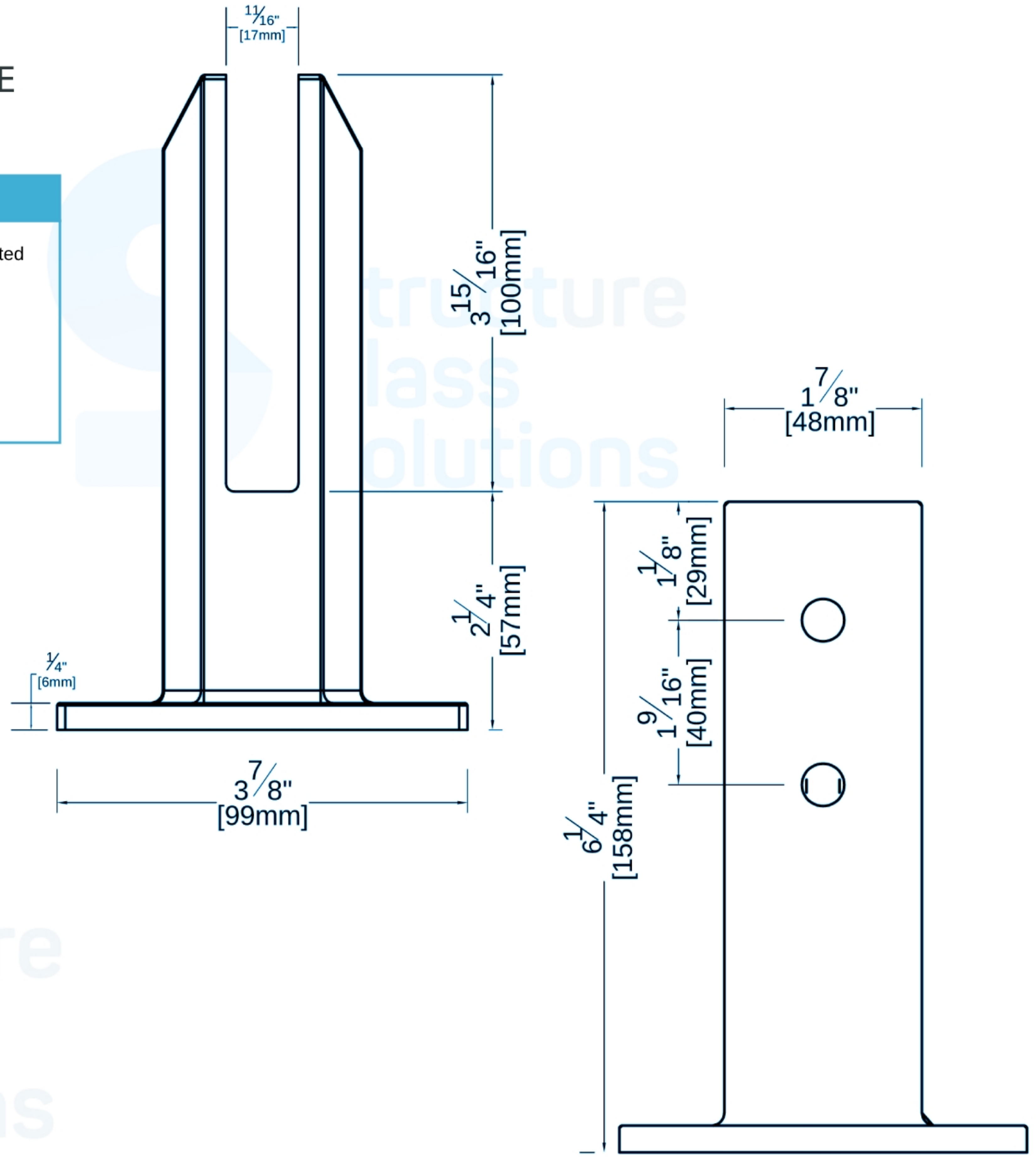
RAILING SPIGGOT

FRAMELESS FENCE CLAMPS - SQUARE SPG-SQR-AP-012

SPECIFICATIONS

Glass Sizes: 1/2" (12mm) to 9/16" (14mm) thick tempered and/or laminated safety glass
 Construction: Stainless Steel
 No Cutout Required
 Includes: Gaskets and screws.

Height of glass = Overall height - 2 1/4"



RAILING SPIGGOT

FRAMELESS FENCE CLAMPS - SQUARE SPG-SQR-AP-012

These Fence clamps are intended for installations without holes through the glass. These clamps don't have a through glass bolting option and are intended for locations with lesser wind loads or small light sizes and where fall protection typically is not required.

